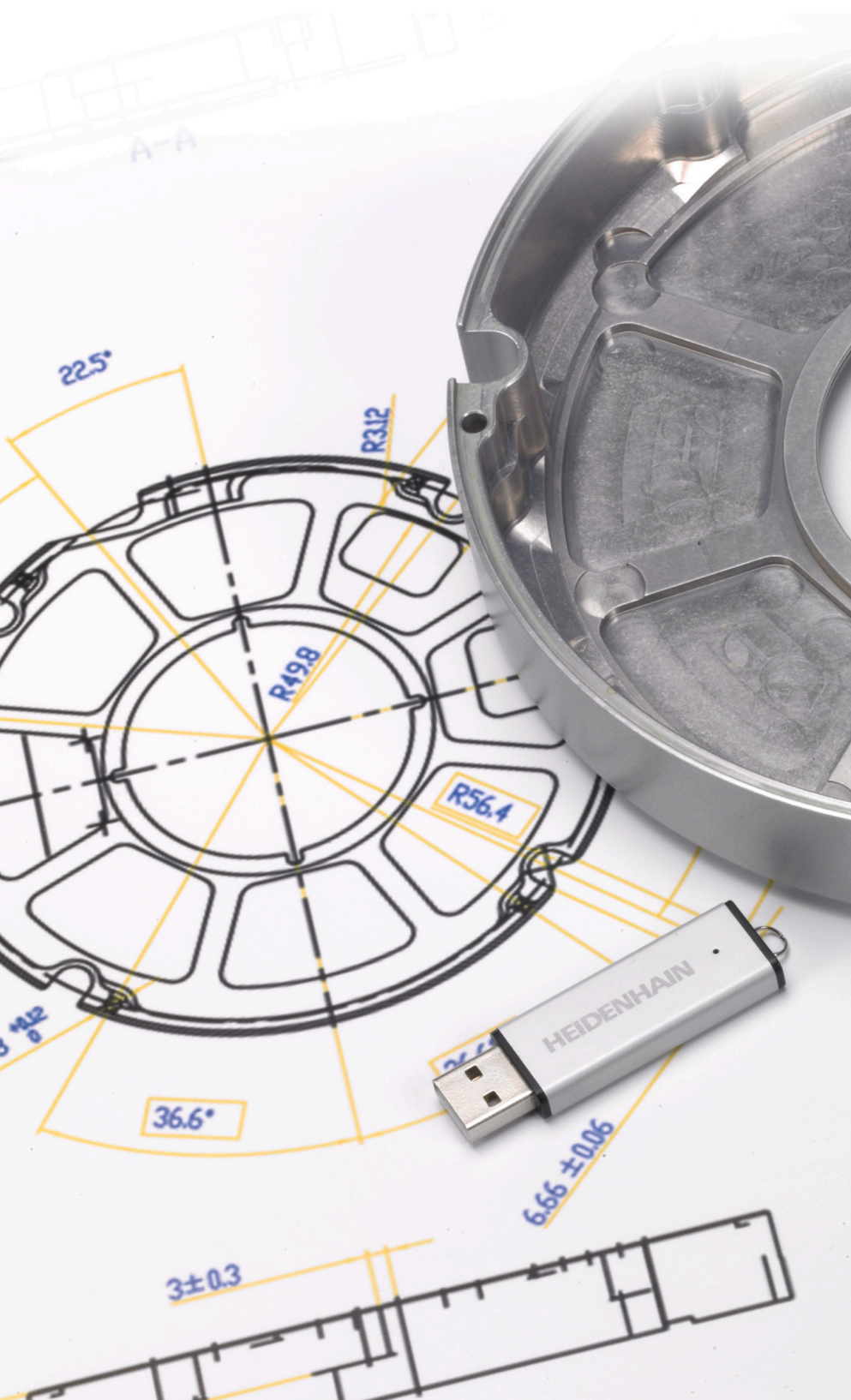




HEIDENHAIN



NC-Solutions

Conjunto de planos 13003

Español (es)
4/2017

1 Conjunto de planos_13003

Pano Tapa

744 650 A4

Text:

Original drawing			ID number	
Scale	Format	Change No. C000941-05		Phase: Nicht-Serie
RoHS	1:1	A4	Werkstoff: Material:	
Maße in mm / Dimensions in mm			●blanke Flächen/Blank surfaces	
Werkstückkanten nach ISO 13715 Workpiece edges ISO 13715		Allgemeintoleranzen ISO 2768-mH General tolerances ISO 2768-mH		Tolerierung nach ISO 8015 Tolerances as per ISO 8015
		Oberflächbehandlung: Surface treatment:		Oberflächen nach ISO 1302 Surfaces as per ISO 1302

The reproduction, distribution and utilization of this document as well as the communication of its contents to others without express authorization is prohibited. Offenders will be held liable for the payment of damages. All rights reserved in the event of the grant of a patent, utility model or design. (ISO 16016)

HEIDENHAIN DR. JOHANNES HEIDENHAIN GmbH 83301 Traunreut, Germany	Created	Responsible	Released	Version	Revision	Sheet	Page
	M-TS			D1145556-00-A-01			1 of 1
	06.07.2015			Document number			

Plano parte inferior

