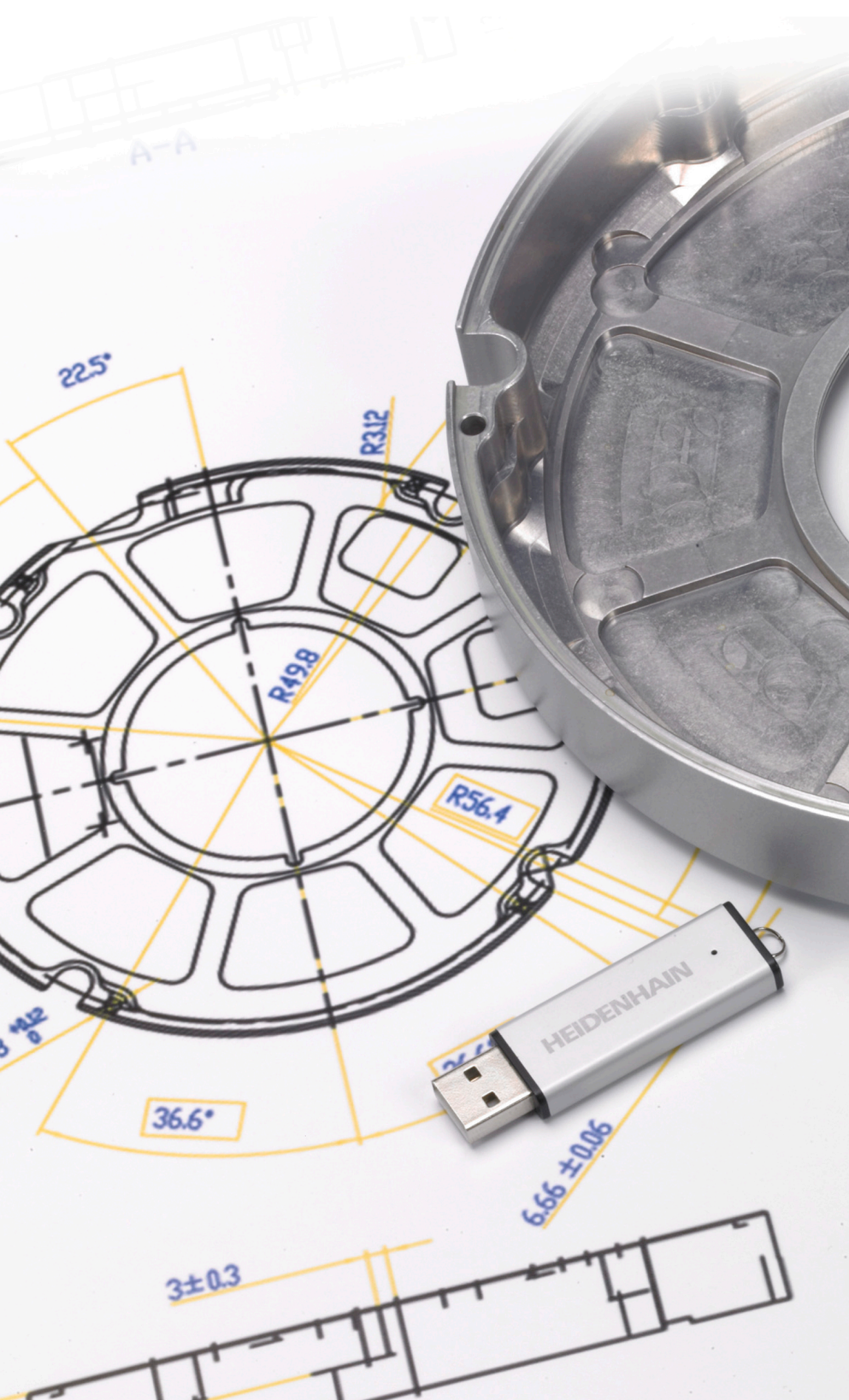




# HEIDENHAIN



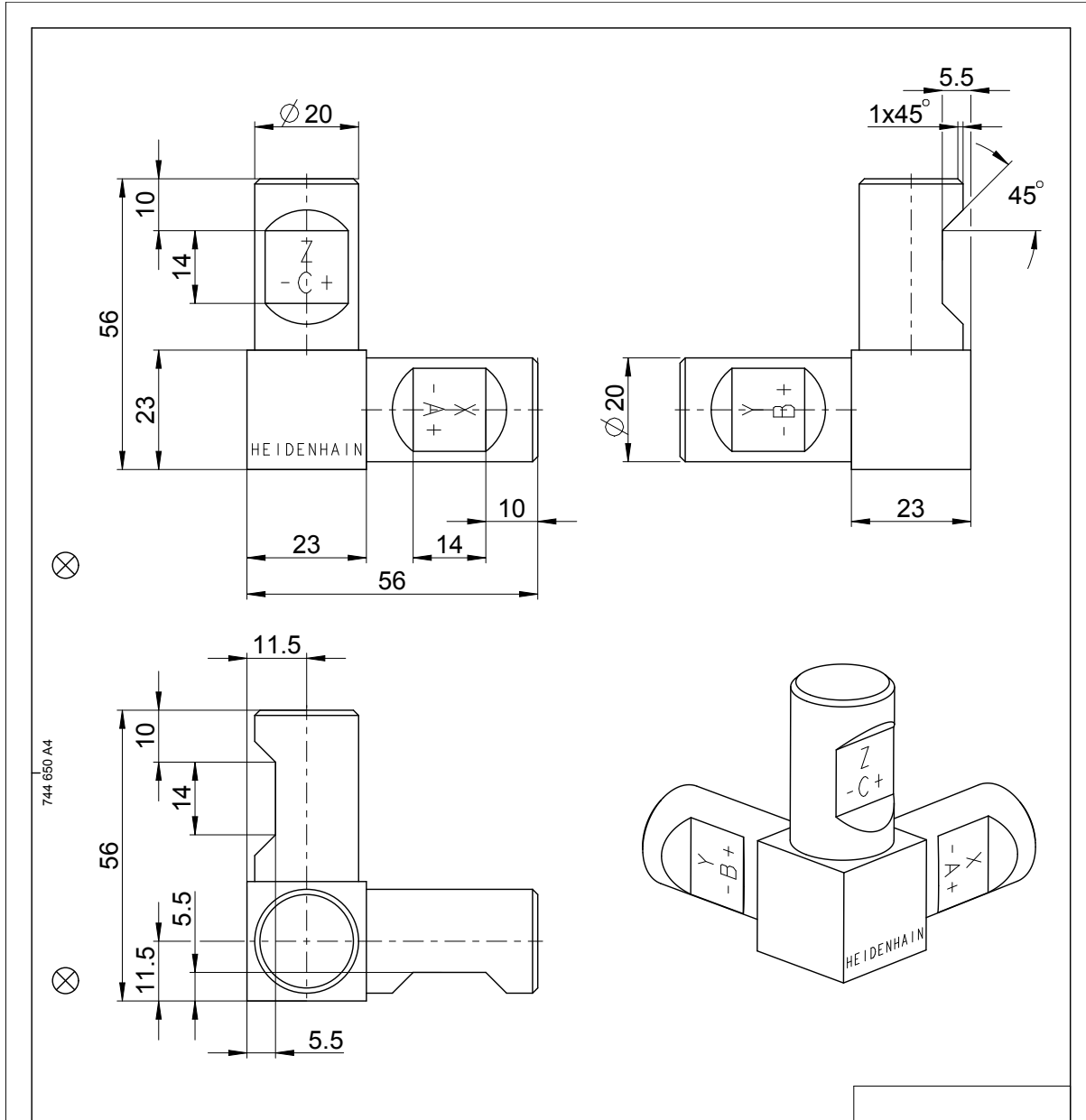
## NC-Solutions

Conjunto de planos 13005

Español (es)  
6/2018

# 1 Conjunto de planos\_13005

## Conjunto de planos Cruz de coordenadas



744 650 A4

Text:			ID number	
			Change No. C000941-10	
			Phase: Nicht-Serie	
	Original drawing	<b>Klotz</b> <b>Block</b>		
RoHS	Scale: 1:1			
	Format: A4	Einzelteilzeichnung / Component Drawing		
Maße in mm / Dimensions in mm		●blanke Flächen/Blank surfaces		
Werkstückkanten nach ISO 13715 Workpiece edges ISO 13715		Allgemeintoleranzen ISO 2768-mH General tolerances ISO 2768-mH	Tolerierung nach ISO 8015 Tolerances as per ISO 8015	Oberflächen nach ISO 1302 Surfaces as per ISO 1302
		Oberflächenbehandlung: Surface treatment:		
The reproduction, distribution and utilization of this document as well as the communication of its contents to others without express authorization is prohibited. Offenders will be held liable for the payment of damages. All rights reserved in the event of the grant of a patent, utility model or design. ( ISO 15016 )				
<b>HEIDENHAIN</b> DR. JOHANNES HEIDENHAIN GmbH 83301 Traunreut, Germany		Created	Responsible	Released
		Feichtner		
		Version   Revision   Sheet		Page
		<b>D1258492-00-A-01</b>		1 of 1
		Document number		

